

THERMOCOUPLES

FAST - ACCURATE - LOW COST



Porta-Probe™ Pyrometer

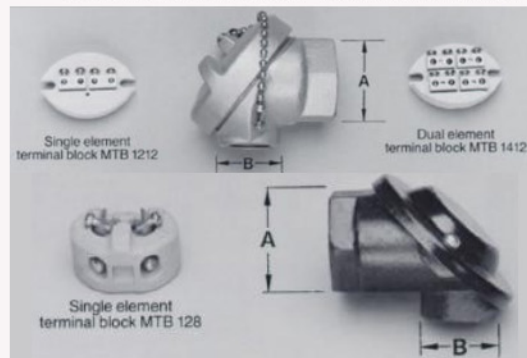
The Porta-Probe™ pyrometer is a new approach to high accuracy digital temperature measurement for nonferrous melts. Porta-Probe combines the Marshall Tip™ thermocouple, a 43" curved Marshall Lance™ and a highly sensitive digital thermometer into one portable, hand-held unit. It measures temperatures from -328°F to +2300°F (-200°C to +1255°C) with an accuracy of ±0.10% to the nearest degree. Conversion between °F and °C is instantaneous and requires no recalibration. The 0.30" LCD display indicates temperature, scale in use (°F or °C), low battery and overranged or "open" sensor.

Sixteen gauge Type K or J Special Limits Class 1 thermocouple wire with tolerances per ANSI MC96.1 and IEC584 are housed in a chrome-iron protection tube, providing a rapid-response hot junction and protection from contamination. The thermometer is housed in a custom molded, high-impact plastic case. The Porta-Probe can operate for more than 1,200 hours continuously on a single 9-volt transistor radio battery.

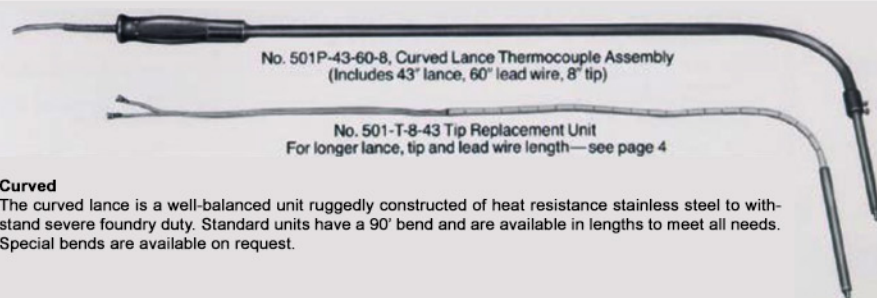
Thermometer Specifications

Temperature Range	-328° to +2300°F (-200°C to +1255°C)
Display	0.30" LCD
Accuracy	±3/8%
Indication	°F/°C selectable
Probe Connection	Standard mini-connector Type K or J
Update Rate	1 reading/second typical
Battery	9 volt transistor NEDA #1604
Battery Life	In excess of 1200 continuous hours for thermocouple. Low battery indicator.
Warranty	1 year

✓ THERMOCOUPLE COMPONENTS Connection Heads, Terminal Blocks



✓ THERMOCOUPLE LANCE



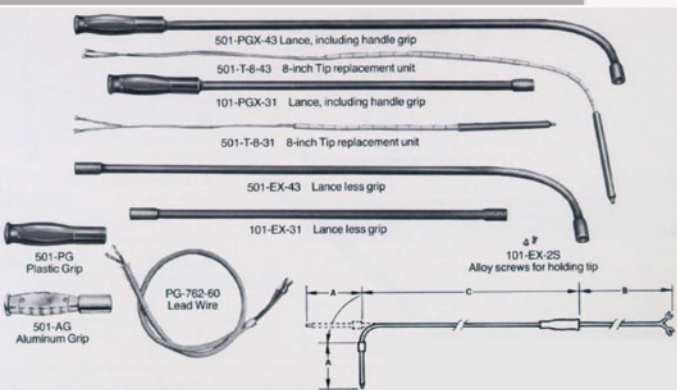
Curved

The curved lance is a well-balanced unit ruggedly constructed of heat resistance stainless steel to withstand severe foundry duty. Standard units have a 90° bend and are available in lengths to meet all needs. Special bends are available on request.

Straight

The straight lance is similar in construction to the curve type, and finds many uses such as checking in the ladle, pit furnaces, or as the melt enters the mold. It is also available in a variety of standard lengths.

Thermocouple Parts List



✓ PROTECTING TUBES

